

## Container Tracking Antenna CTAZXM\_WP

**GSM 850 / 900 / 1800 / 1900 MHz + UMTS**

**Magnet Mounting**



- **GPS antenna for container tracking in sea containers**
- **Adhesive bonding antenna water proof IP65**
- **Worldwide usable**
- **The antenna is hidden inside the container, not visible from outside**
- **Including 868 MHz – services and DECT**
- **Our products are RoHS- and REACH-conform**



## Technical Data

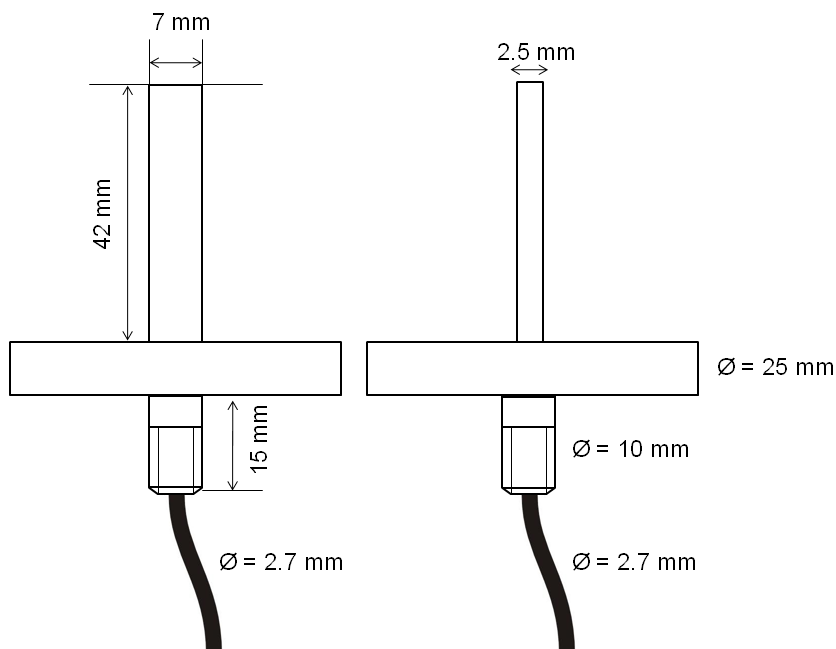
### GPS

Frequency Range	850/900/1800/1900 + 2100 MHz
VSWR*	< 2.0 typ.
Peak Gain*	-3 dBi typ. (900 MHz) +2 dBi typ. (1800 MHz) +2 dBi typ. (2100 MHz)
Power max.	10 W

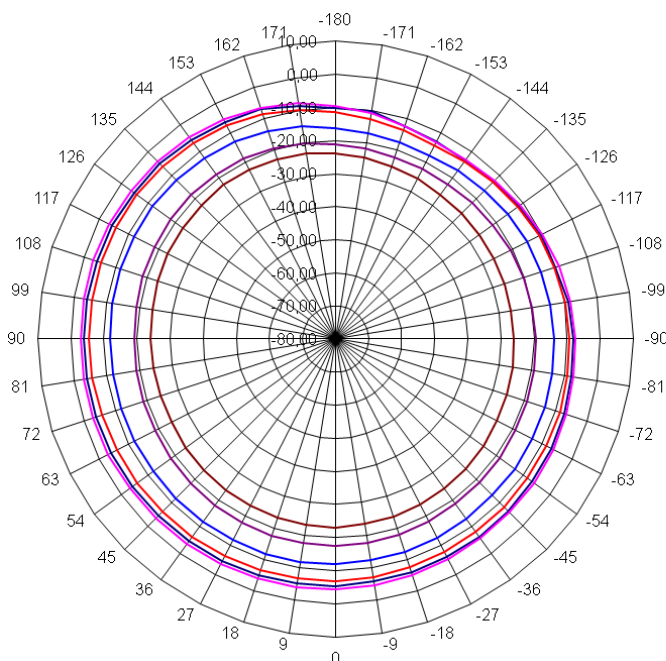
\* Measured with 0.6m cable on 30x30cm ground plane

## Mechanical Data

Dimensions (ØxH)	ca. 25 mm x 64 mm
Temperature Range	-40°C to +85°C (operating temperature)
Connection (Standard)	ca. 0.5m connecting cable RG174 with GSM/FME(f) Other cablelengths and connectors see ordering example and connector list in Internet

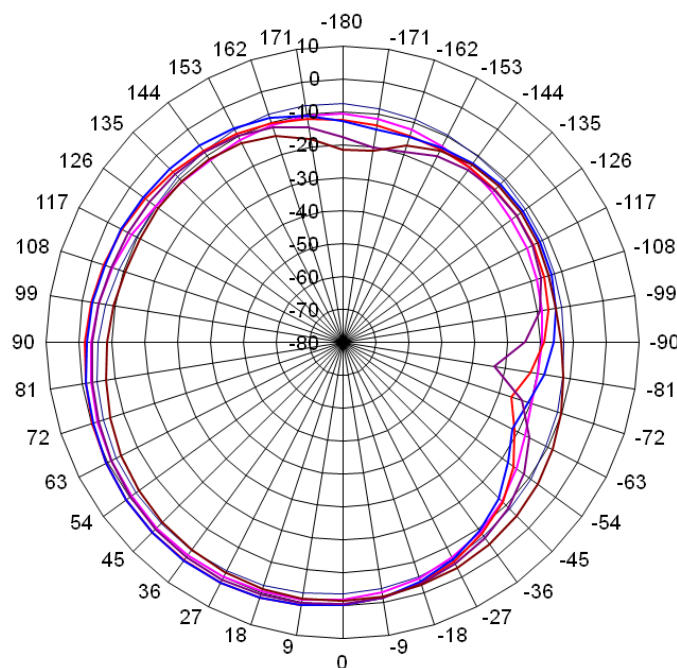


**Radiation diagram (typ.)\***



**GSM 900 MHz**  
Peak Gain: -3 dBi

- 764.00
- 792.00
- 820.00
- 848.00
- 876.00
- 904.00



**GSM 1800 MHz**  
Peak Gain: +2 dBi

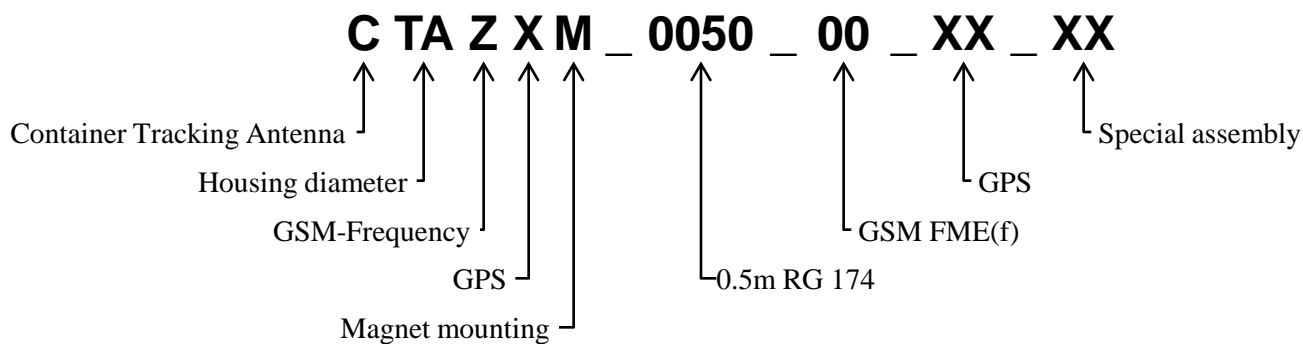
- 1710
- 1788
- 1866
- 1944
- 2022
- 2100

**GSM 2100 MHz**  
Peak Gain: +2 dBi

\* Measured with 0.6m cable on 30x30cm ground plane

Technical changes reserved.  
Liability excluded for printing  
mistakes, also for mistakes in  
technical data and illustrations

## Ordering example



## Warranty

The lawful warranty conditions apply.